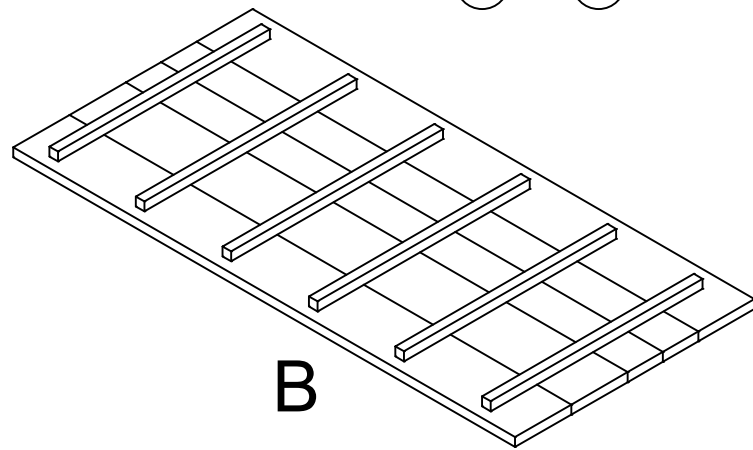
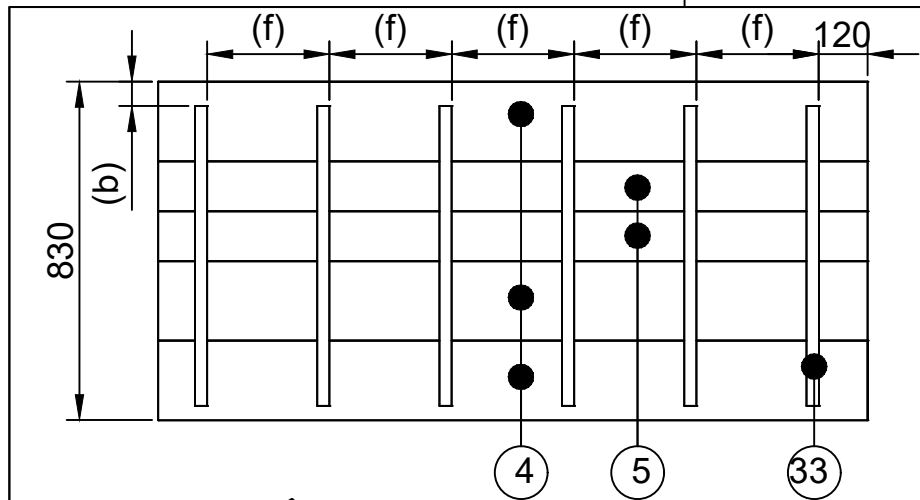
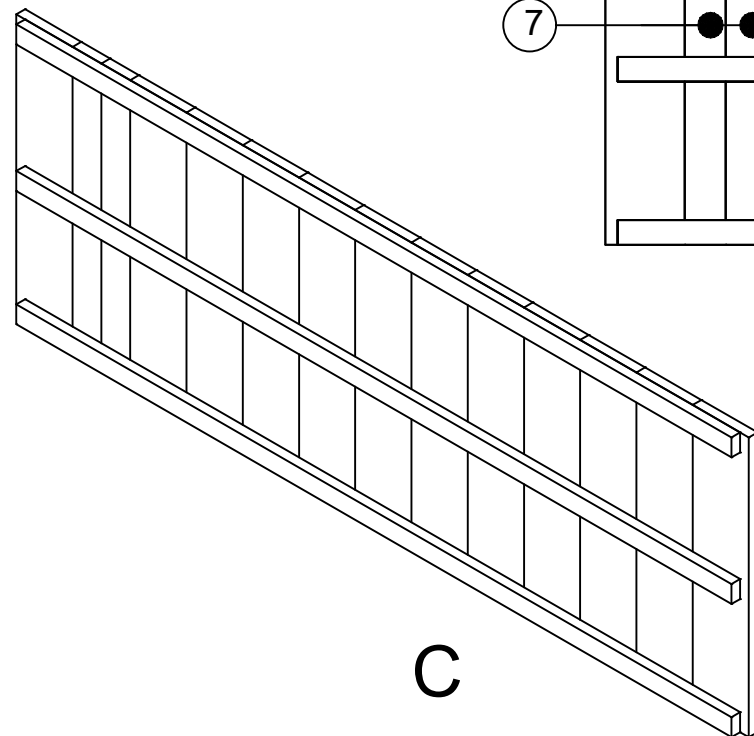


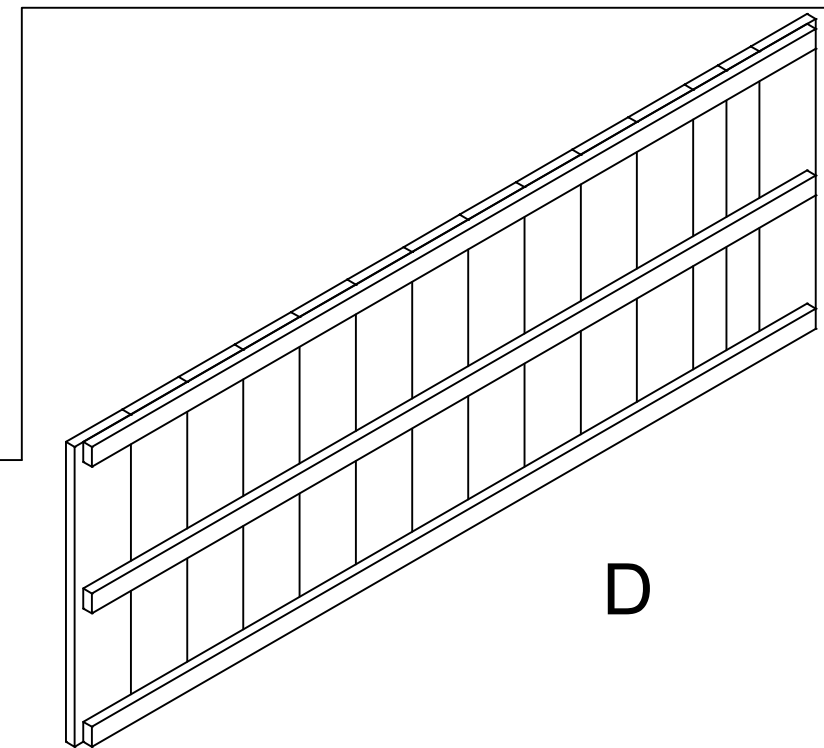
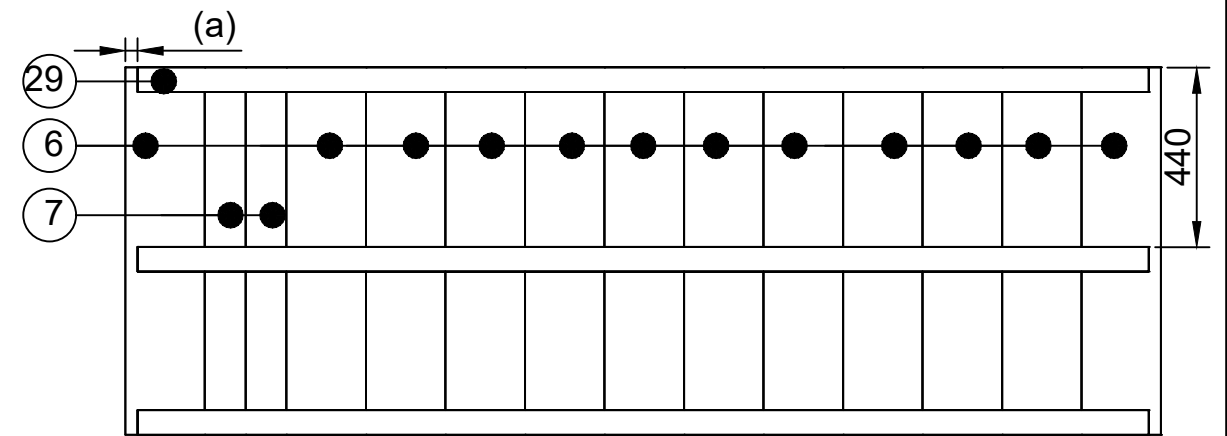
| | | |
|----------------|------------------------|---------|
| getekend | Fredsbouwtekeningen.nl | 1 van 5 |
| L Buitenkeuken | | A3 |



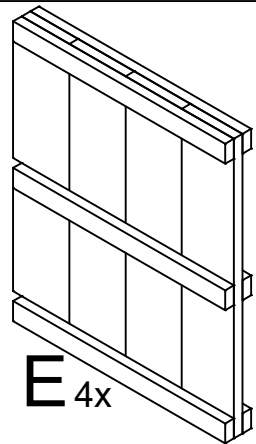
B



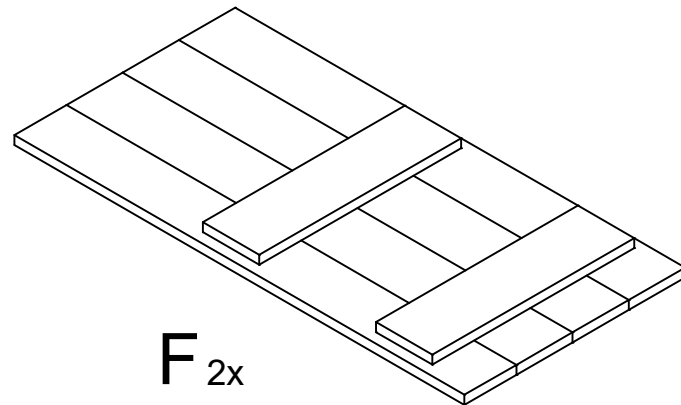
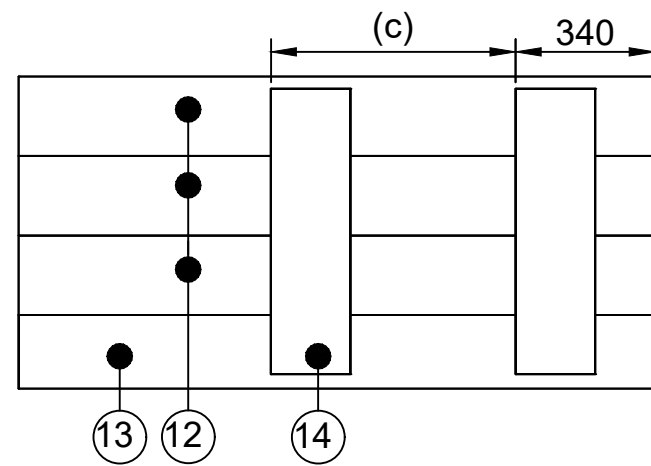
C



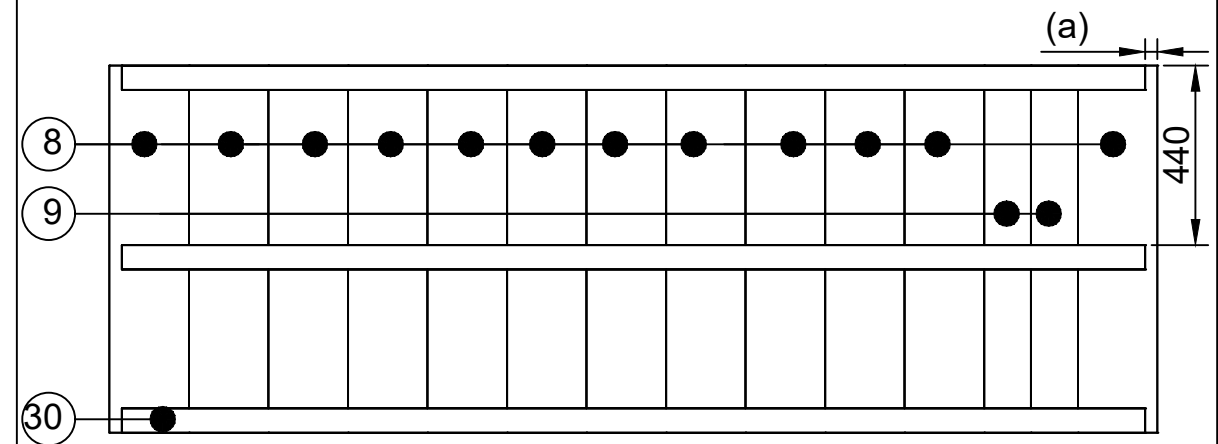
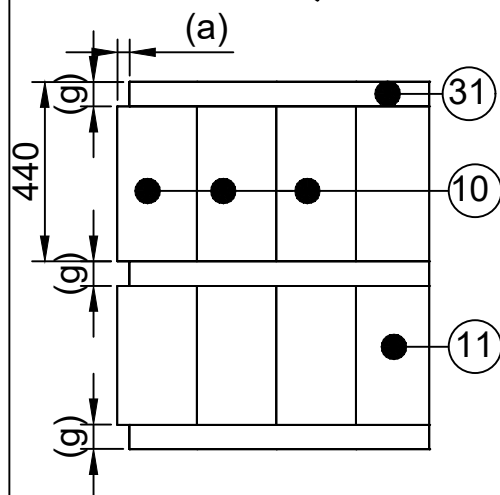
D



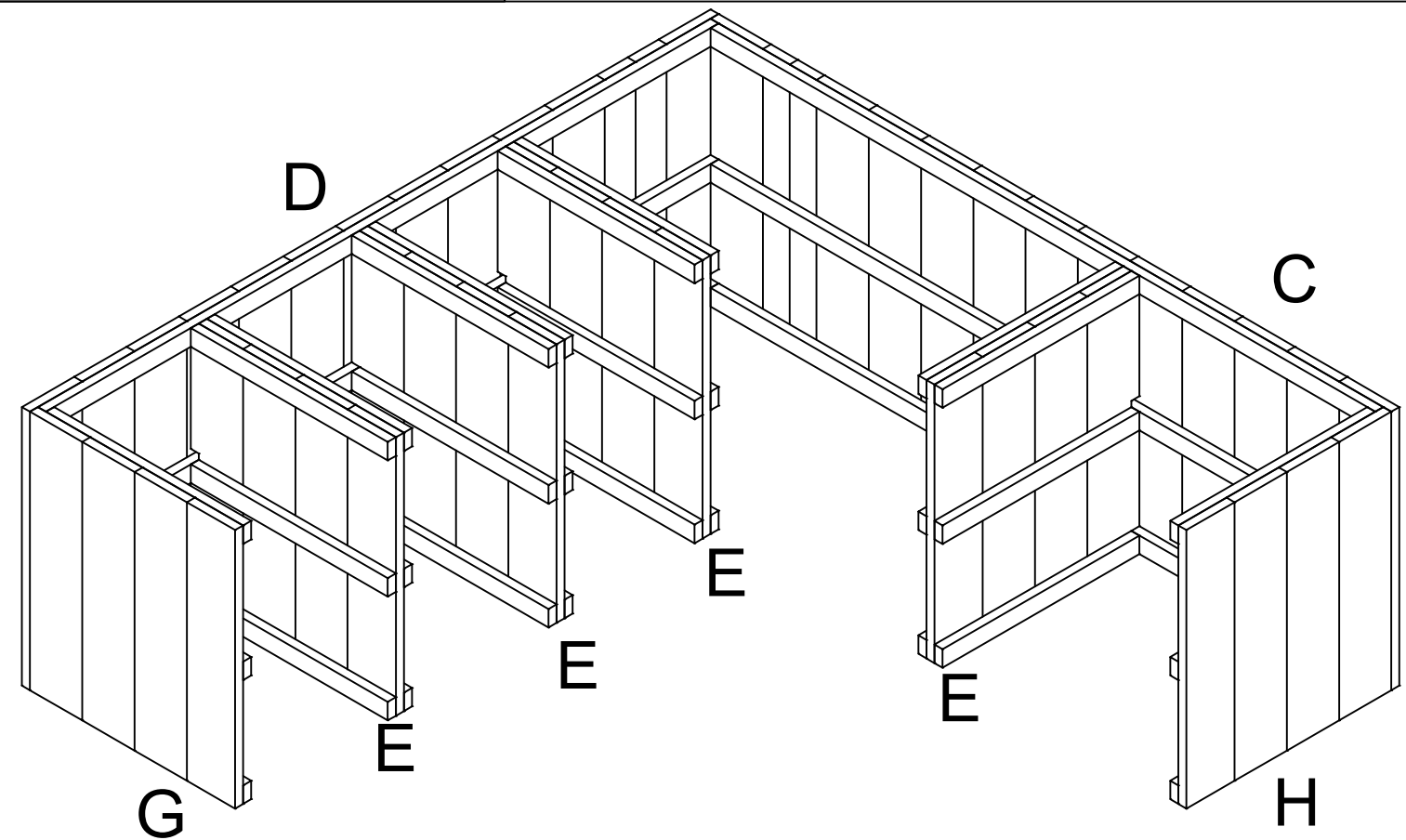
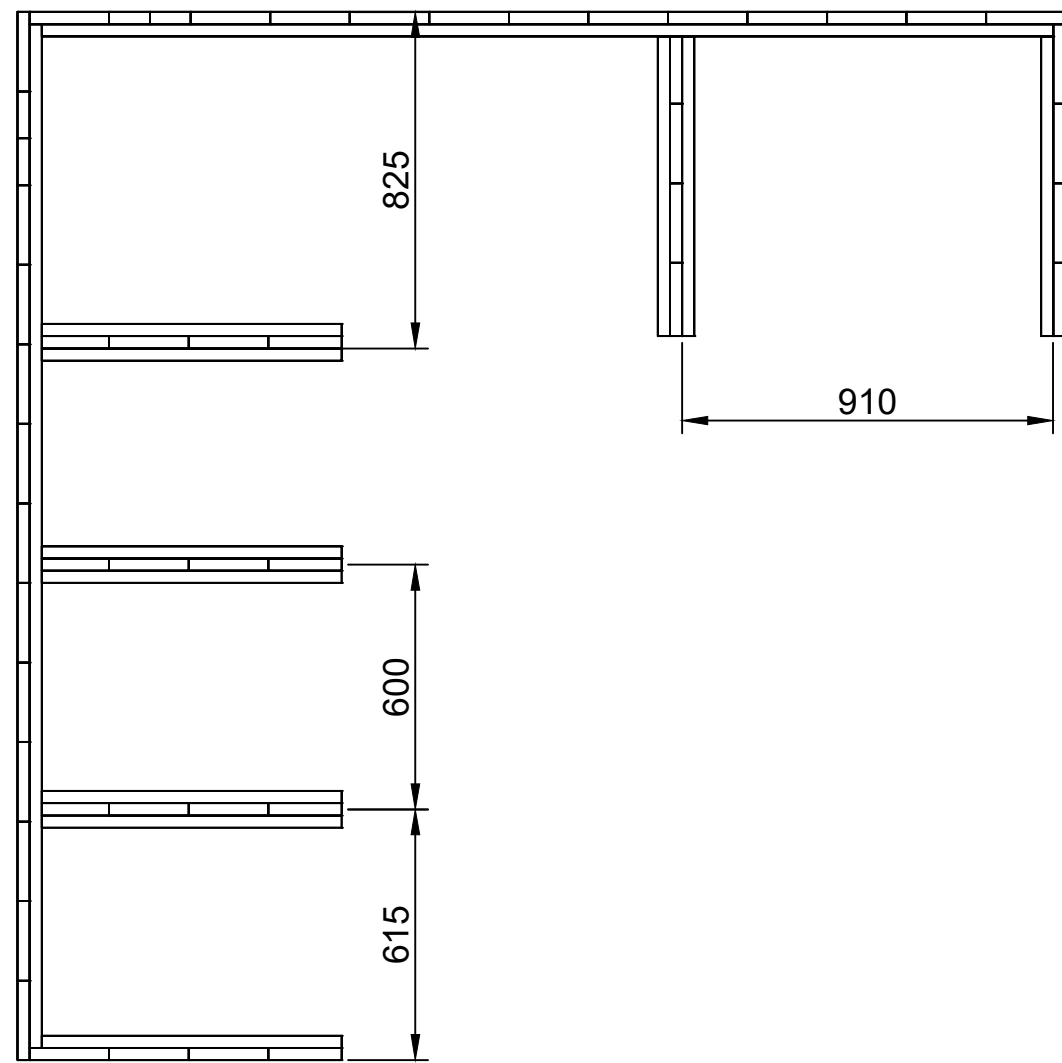
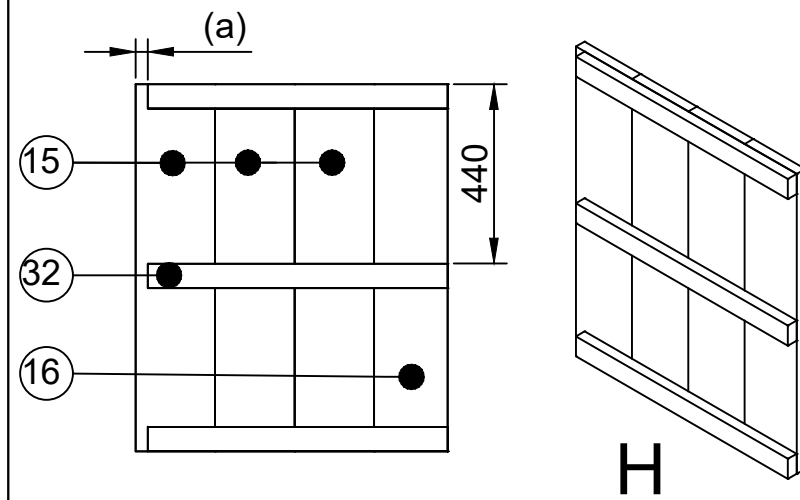
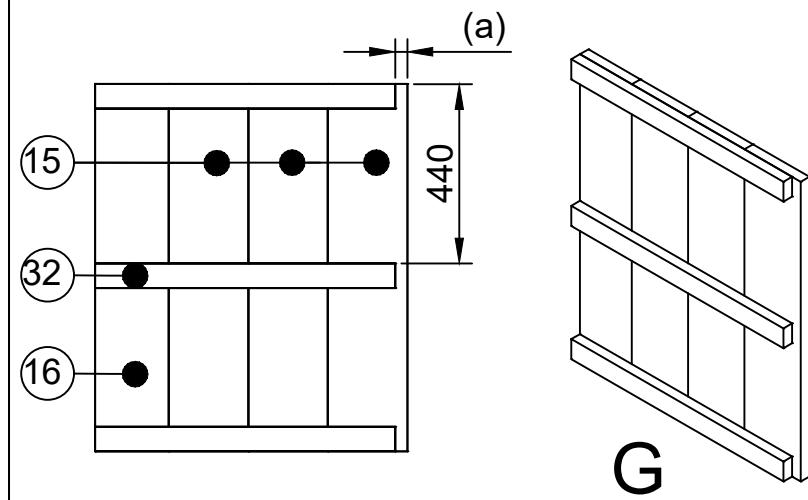
E 4x



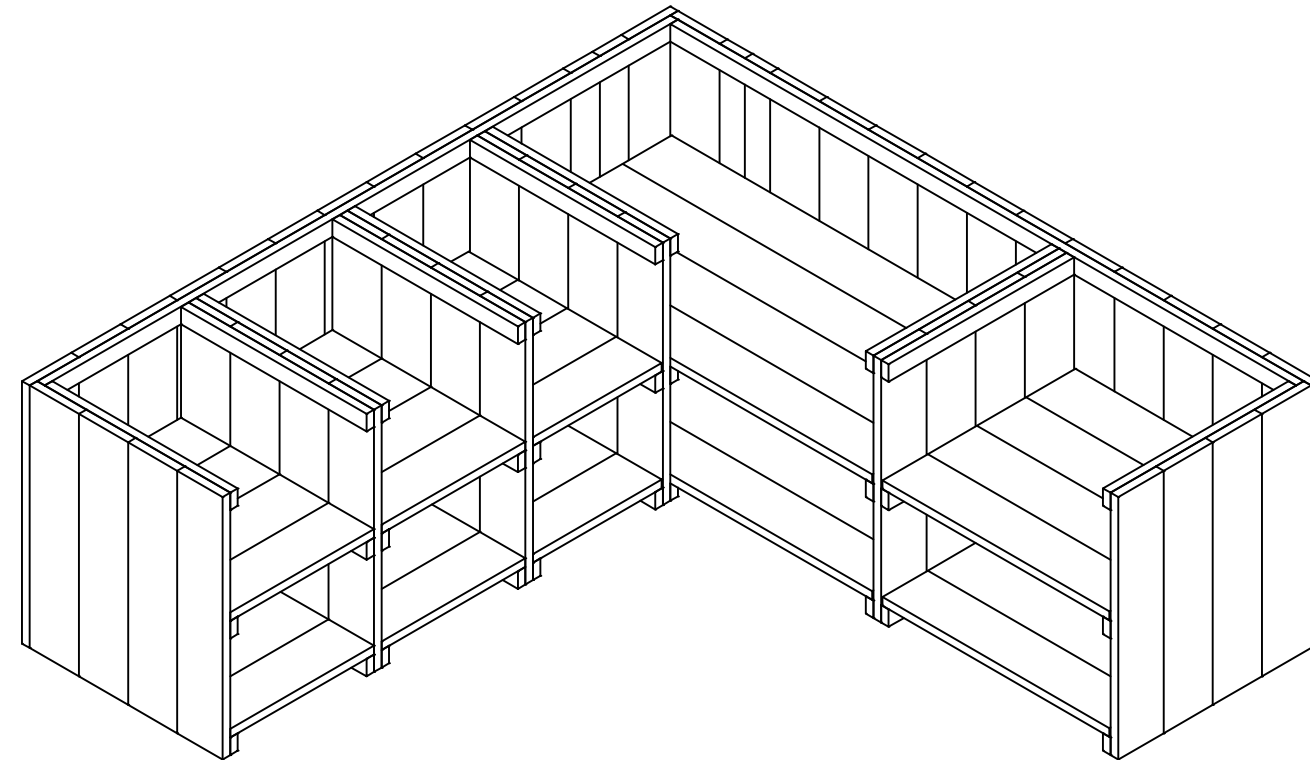
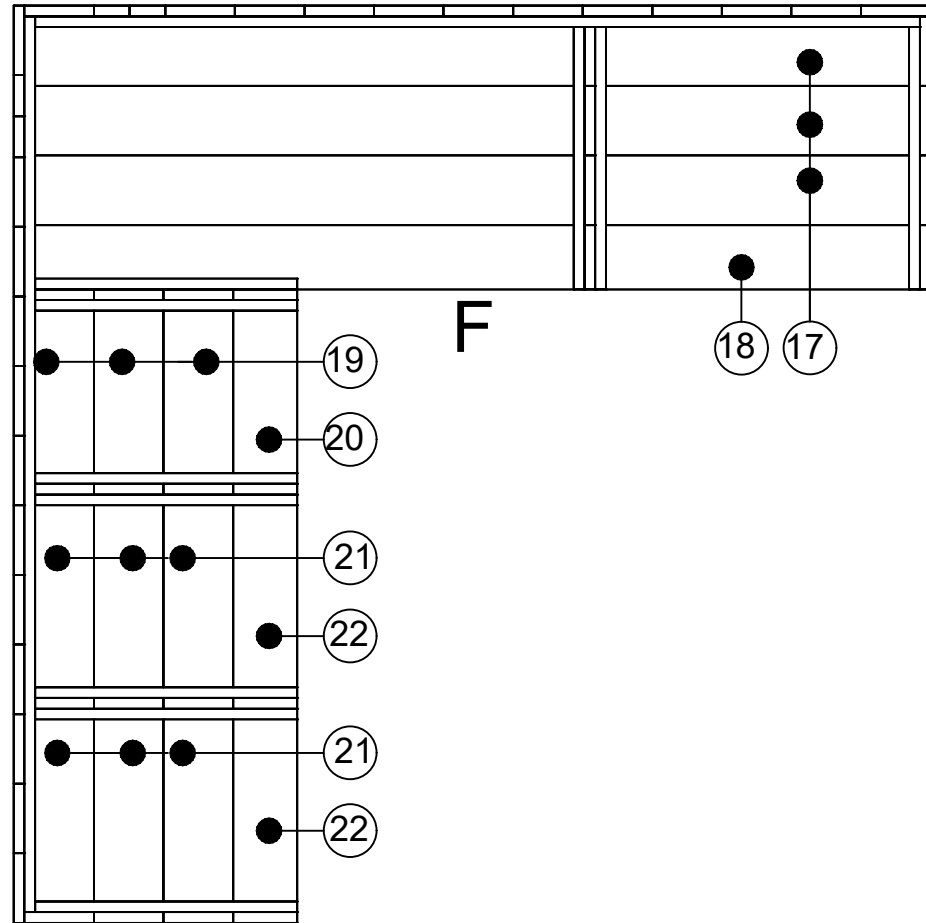
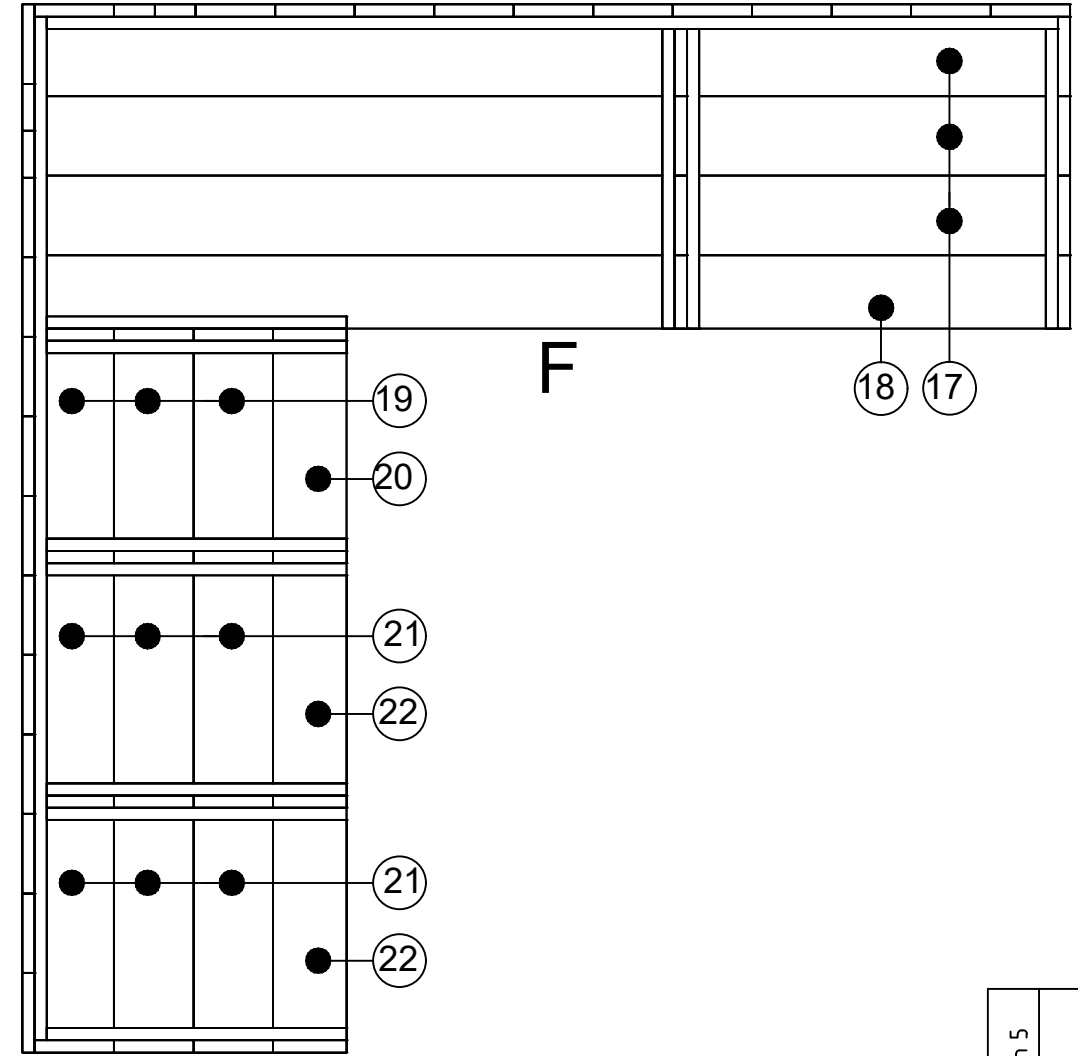
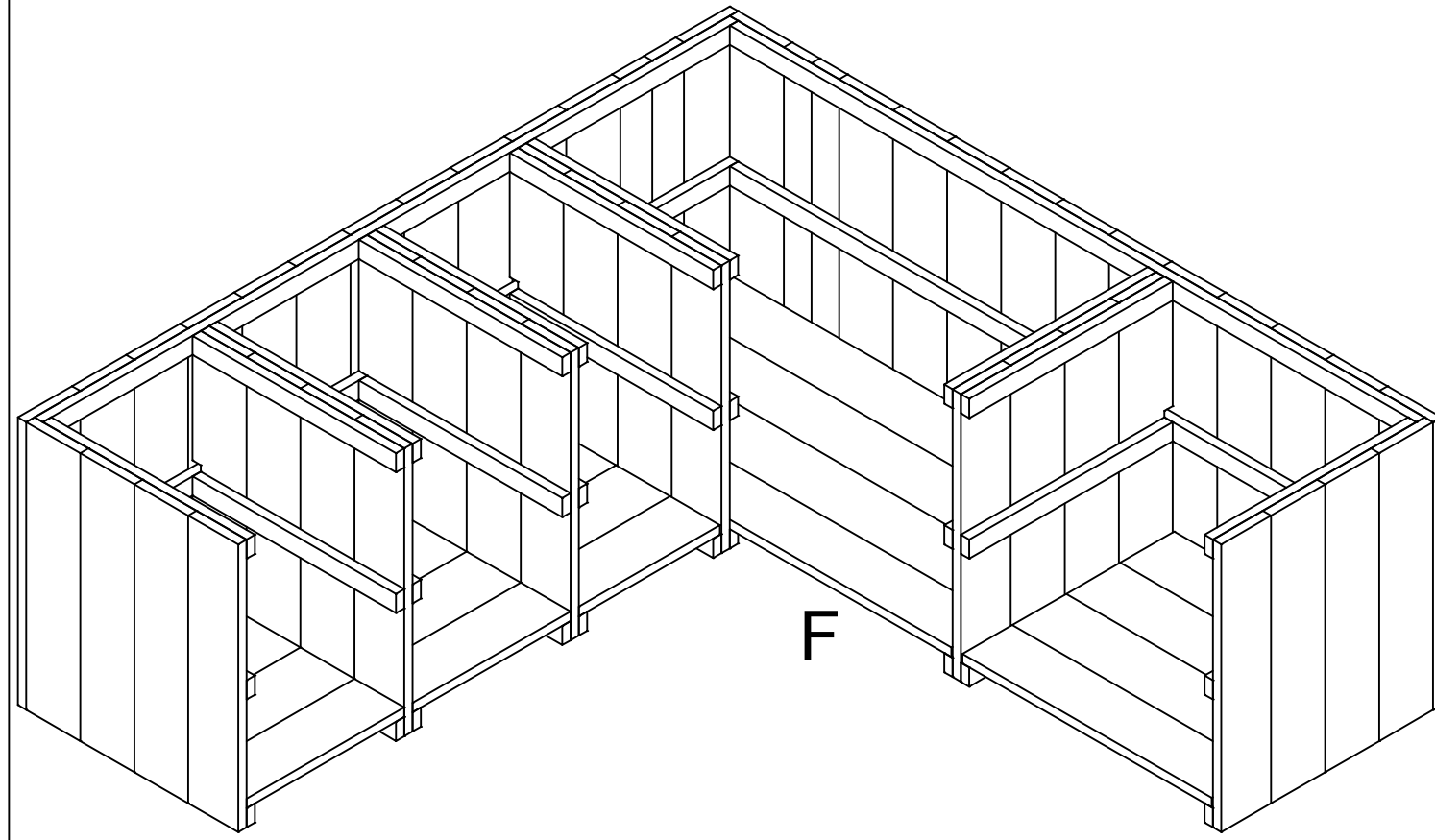
F 2x



| | | |
|----------------|------------------------|---------|
| getekend | Fredsbouwtekeningen.nl | 2 van 5 |
| L Buitenkeuken | | A3 |

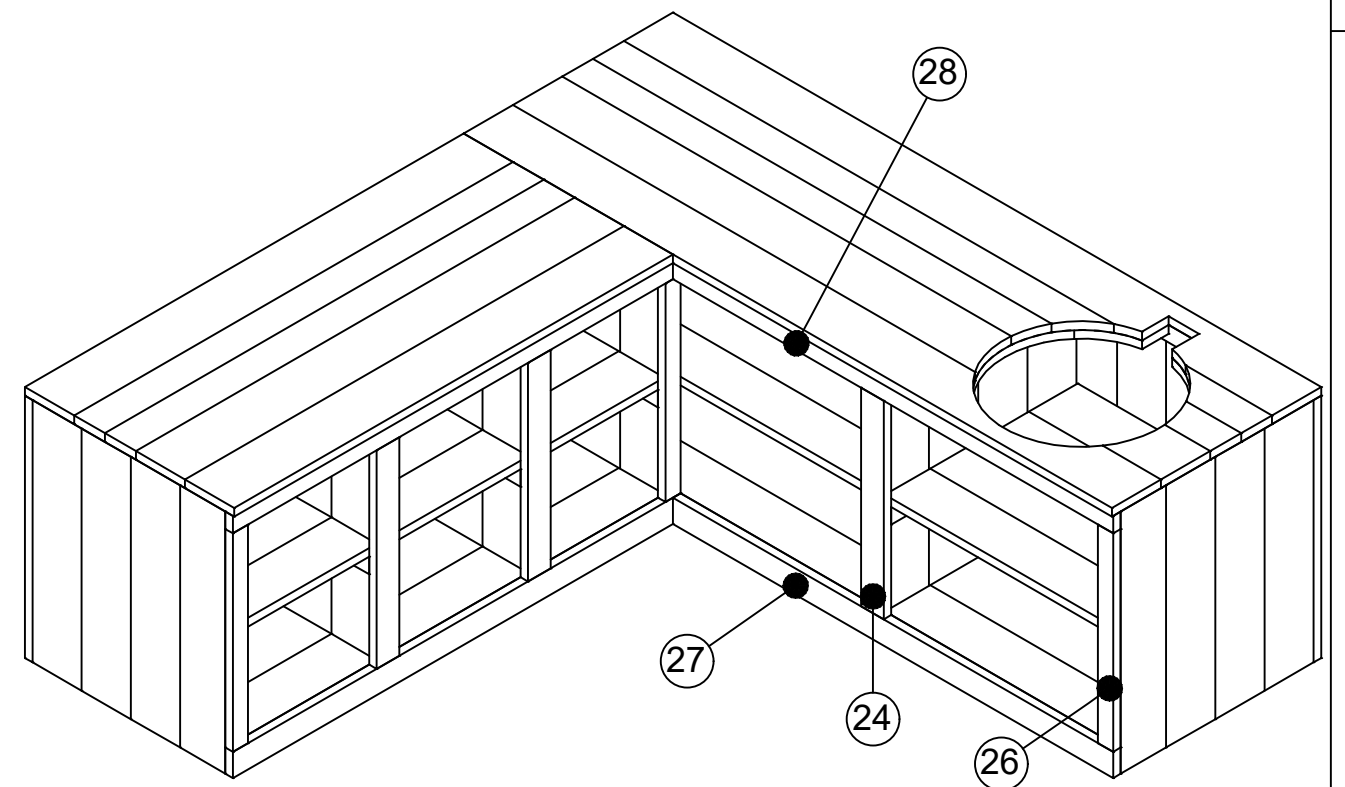
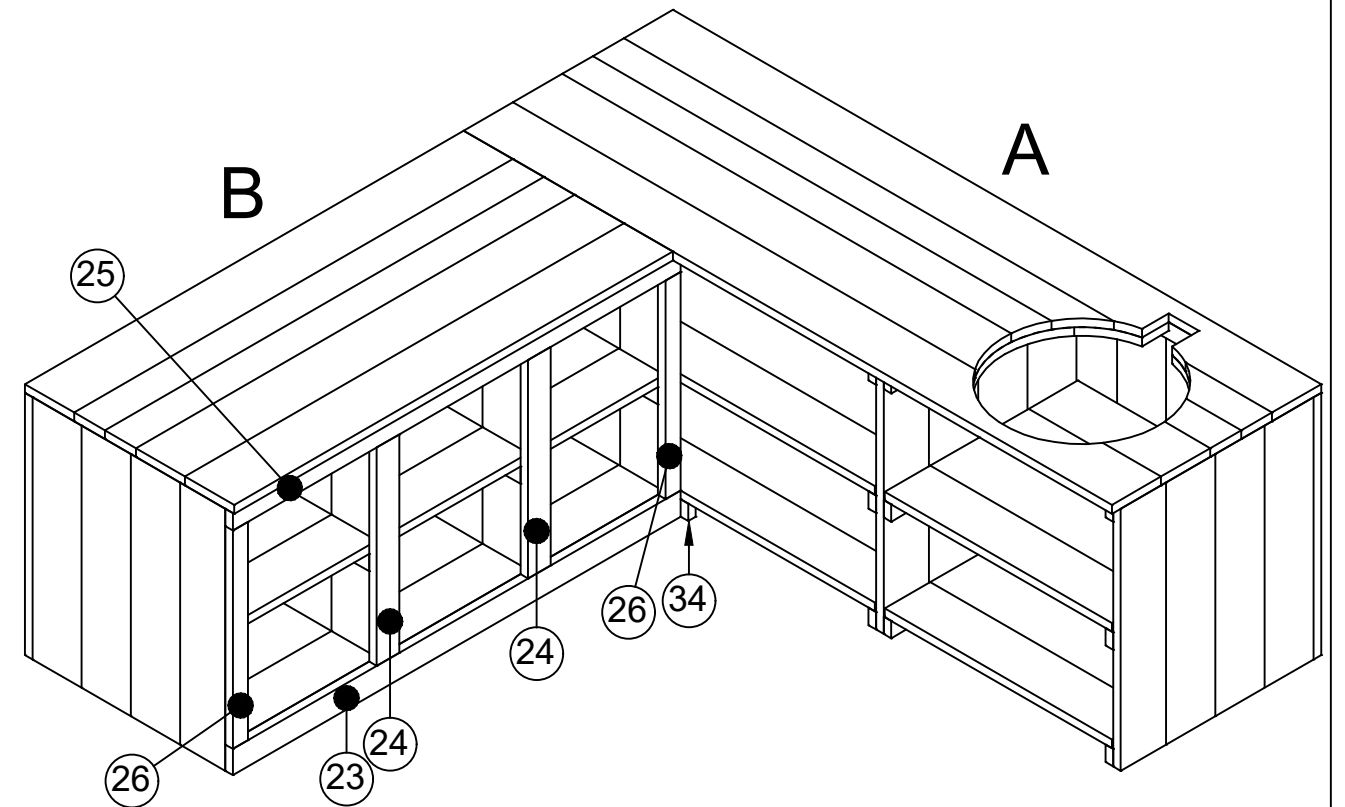


| | | |
|----------------|------------------------|---------|
| getekend | Fredsbouwtekeningen.nl | 3 van 5 |
| L Buitenkeuken | | A3 |



| | | |
|----------------|------------------------|---------|
| getekend | Fredsbouwtekeningen.nl | 4 van 5 |
| L Buitenkeuken | | A3 |

| Maat | Lengte | Item | Aantal | Materiaal | Dikte | Breedte | Lengte |
|--------------------------------------|--------|------|--------|-----------|-------|---------|--------|
| Breedte | 830 | 1 | 3 | Douglas | 28 | 195 | 2570 |
| Lengte R | 2570 | 2 | 2 | Douglas | 28 | 122,5 | 2570 |
| Lengte L | 2570 | 3 | 7 | Douglas | 28 | 195 | 746 |
| Hoogte | 930 | 4 | 3 | Douglas | 28 | 195 | 1740 |
| Maat | Lengte | 5 | 2 | Douglas | 28 | 122,5 | 1740 |
| (a) | 28 | 6 | 12 | Douglas | 28 | 195 | 902 |
| (b) | 56 | 7 | 2 | Douglas | 28 | 101 | 902 |
| (c) | 600 | 8 | 12 | Douglas | 28 | 195 | 902 |
| (d) | 1740 | 9 | 2 | Douglas | 28 | 115 | 902 |
| (f) | 300 | 10 | 12 | Douglas | 28 | 195 | 902 |
| (g) | 40 | 11 | 4 | Douglas | 28 | 184 | 902 |
| | | 12 | 6 | Douglas | 28 | 195 | 1576 |
| | | 13 | 2 | Douglas | 28 | 184 | 1576 |
| | | 14 | 4 | Douglas | 28 | 195 | 1576 |
| | | 15 | 6 | Douglas | 28 | 195 | 902 |
| | | 16 | 2 | Douglas | 28 | 184 | 902 |
| | | 17 | 3 | Douglas | 28 | 195 | 900 |
| | | 18 | 1 | Douglas | 28 | 184 | 900 |
| | | 19 | 6 | Douglas | 28 | 195 | 521 |
| | | 20 | 2 | Douglas | 28 | 184 | 521 |
| | | 21 | 12 | Douglas | 28 | 195 | 570 |
| | | 22 | 4 | Douglas | 28 | 184 | 570 |
| | | 23 | 1 | Douglas | 28 | 68 | 797 |
| | | 24 | 3 | Douglas | 28 | 90 | 794 |
| | | 25 | 1 | Douglas | 28 | 40 | 797 |
| | | 26 | 3 | Douglas | 28 | 60 | 794 |
| | | 27 | 1 | Douglas | 28 | 68 | 1745 |
| | | 28 | 1 | Douglas | 28 | 40 | 1745 |
| | | 29 | 3 | Douglas | 28 | 40 | 2486 |
| | | 30 | 3 | Douglas | 28 | 40 | 2514 |
| | | 31 | 24 | Douglas | 28 | 40 | 741 |
| | | 32 | 6 | Douglas | 28 | 40 | 741 |
| | | 33 | 6 | Douglas | 28 | 40 | 741 |
| | | 34 | 1 | Douglas | 28 | 40 | 40 |
| RVS schroeven 5x50 (gaten voorboren) | | | | | | | |



| | | |
|----------------|------------------------|---------|
| getekend | Fredsbouwtekeningen.nl | 5 van 5 |
| L Buitenkeuken | | A3 |